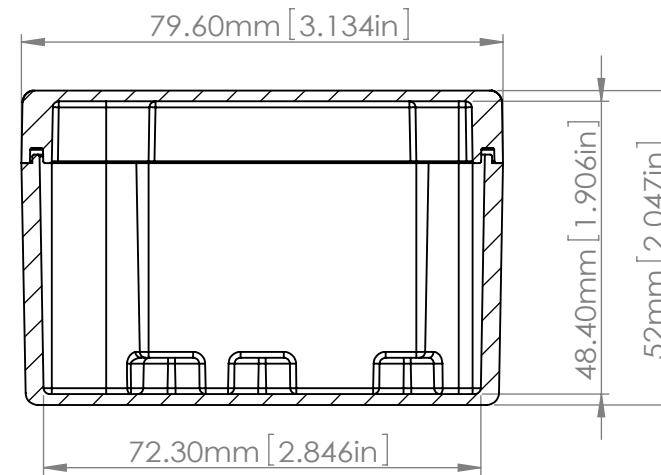
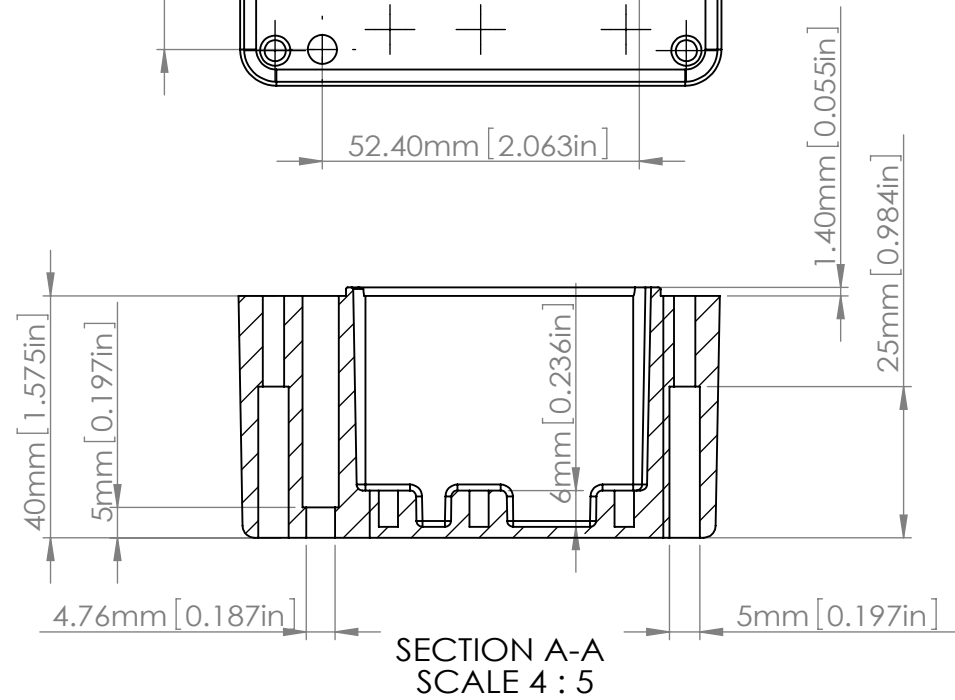
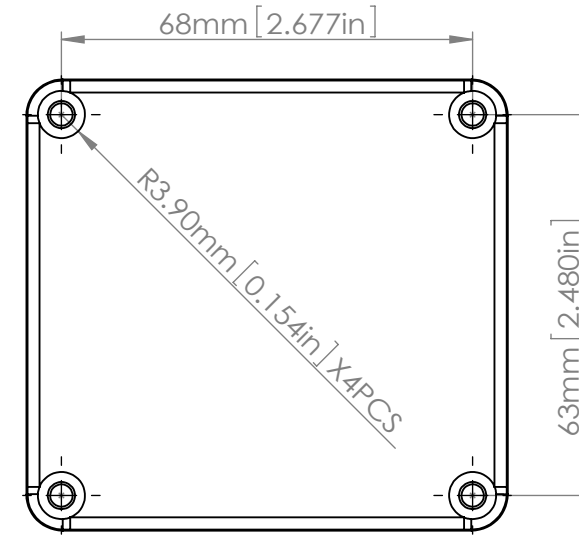
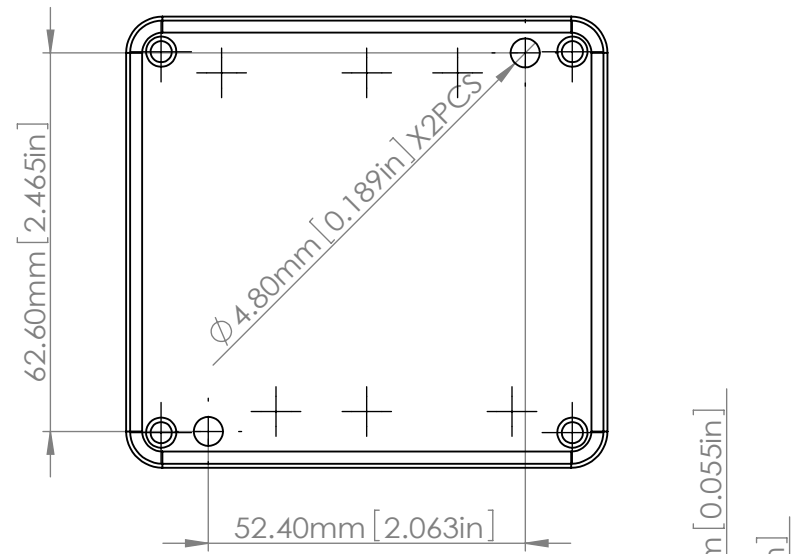


SECTION B-B
SCALE 4 : 5



TOLERANCES: +/- 0.30 mm (+/- 0.012in)

