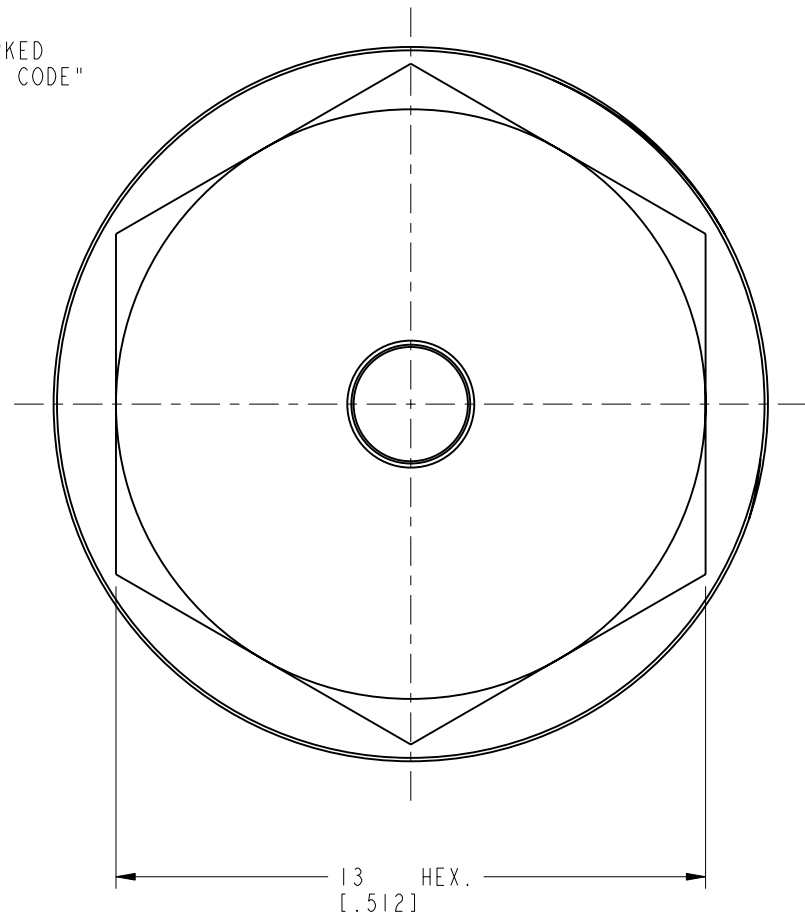


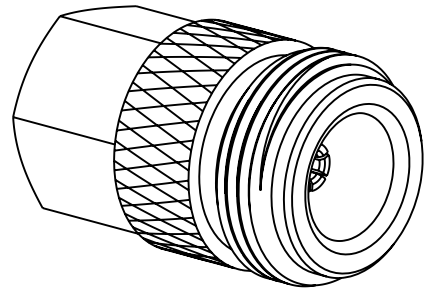
NOTES:

1. MATERIALS AND FINISHES:  
 BODY - BRASS, NICKEL PLATING  
 CONTACT - BeCu, GOLD PLATING  
 INSULATOR - PTFE, NATURAL  
 CAP - PHOS. BRONZE, NICKEL PLATING
2. ELECTRICAL:  
 A. IMPEDANCE: 50 OHM  
 B. FREQUENCY RANGE: DC - 18 GHz  
 C. VSWR(RETURN LOSS): 1.15 (-23 dB) MAX. DC-8 GHz  
                                   1.20 (-20 dB) MAX. 8-18 GHz  
 D. AVG. POWER: 2 WATTS (POWER DERATED LINEARLY FROM 20°C  
                                   TO 1 WATT AT 125°C)  
 E. PEAK POWER: 200 WATTS (PEAK POWER FOR 1% DUTY CYCLE OF  
                                   0.005 MAX. PULSE DURATION OF 5 MICROSECONDS)
3. MECHANICAL:  
 A. DURABILITY: 500 CYCLES MIN.  
 B. TEMPERATURE RANGE: -65° C TO 165° C
4. PACKAGING:  
 A. QUANTITY: SINGLE PACK  
 B. MARKING: PACKAGING TO BE MARKED  
    "AMPHENOL RF, 82-6693 & DATE CODE"

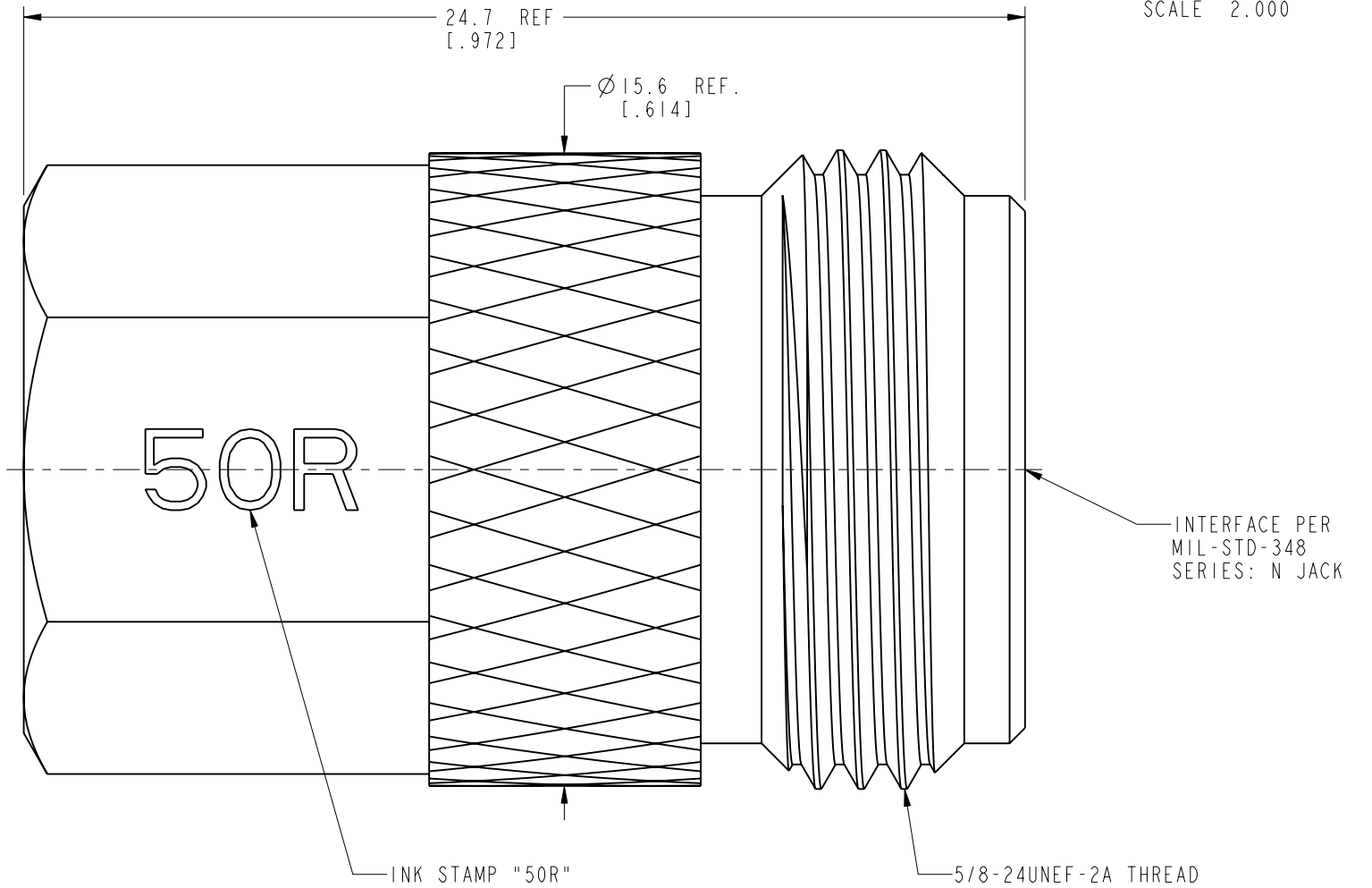


THIRD ANGLE PROJ.

		REVISIONS		
REV	DESCRIPTION	DATE	ECN	APPR
A	RELEASE TO MANUFACTURING	07-May-19	11422	CJV



SCALE 2.000



**CUSTOMER OUTLINE DRAWING**

ALL OTHER SHEETS ARE FOR INTERNAL USE ONLY

UNLESS OTHERWISE SPECIFIED, DIMENSIONS ARE IN METRIC AND TOLERANCES ARE: <0.5mm ±0.05mm    0.5 - 6mm ±0.1mm    6 - 30mm ±0.2mm    30 - 120mm ±0.3mm    ANGLES ±1°	MATERIAL	DRAWN	DATE	TITLE TERMINATION JACK 18 GHz TYPE N 2 WATTS	Amphenol RF www.amphenolrf.com	
	SEE NOTES	M. ZHANG	07-May-19			
NOTICE - These drawings, specifications, or other data (1) are, and remain the property of Amphenol corp. (2) must be returned upon request; and (3) are confidential and not to be disclosed to any person other than those to whom they are given by Amphenol Corp. the furnishing of these drawings, specifications, or other data by Amphenol Corp., or to any other person to anyone for any purpose is not to be regarded by implication or otherwise in any manner licensing, granting rights to permitting such holder or any other person to manufacture, use or sell any product, process or design, patented or otherwise, that may in any way be related to or disclosed by said drawings, specifications, or other data.	REFERENCE	ENGINEER	DATE	SCALE: 6.0:1.0    SHEET 2 OF 2	DWG SIZE B	
	EAR# 8746	C. VIGORITO	25-Jan-19			REV A
	REF: ---	APPROVED	S. HSIEH	DATE		
	CONFIGURATION LEVEL: In Work	FINISH	CAD FILE	09-May-19		